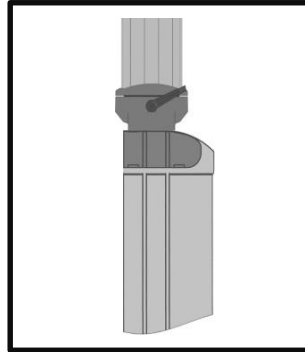
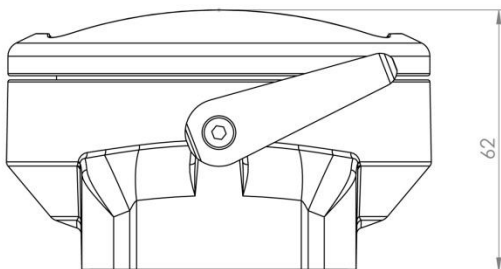
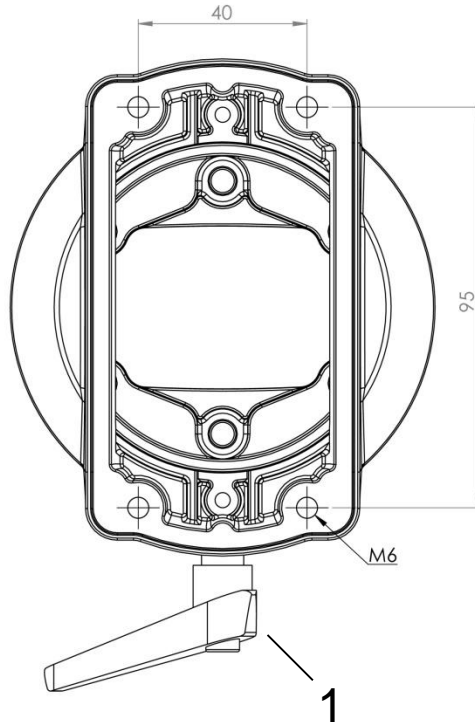
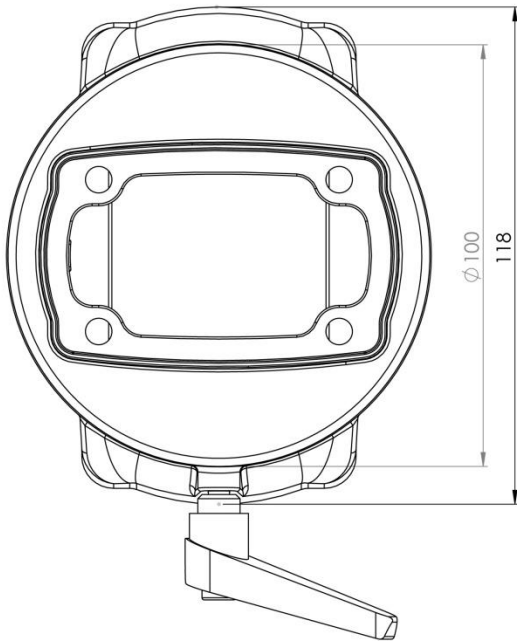


# TK060.830

## Rotatable Panel Adaptor Vertical



Weight (gr)	735
Color / Ral Code	7035
Package	1
Package Dimension (mm)	130 x 65 x 110
Movement	350 °
Material	Aluminum



**1** Braking Arm

ISO9001

